

**TRF**  
TAMIYA RACING FACTORY

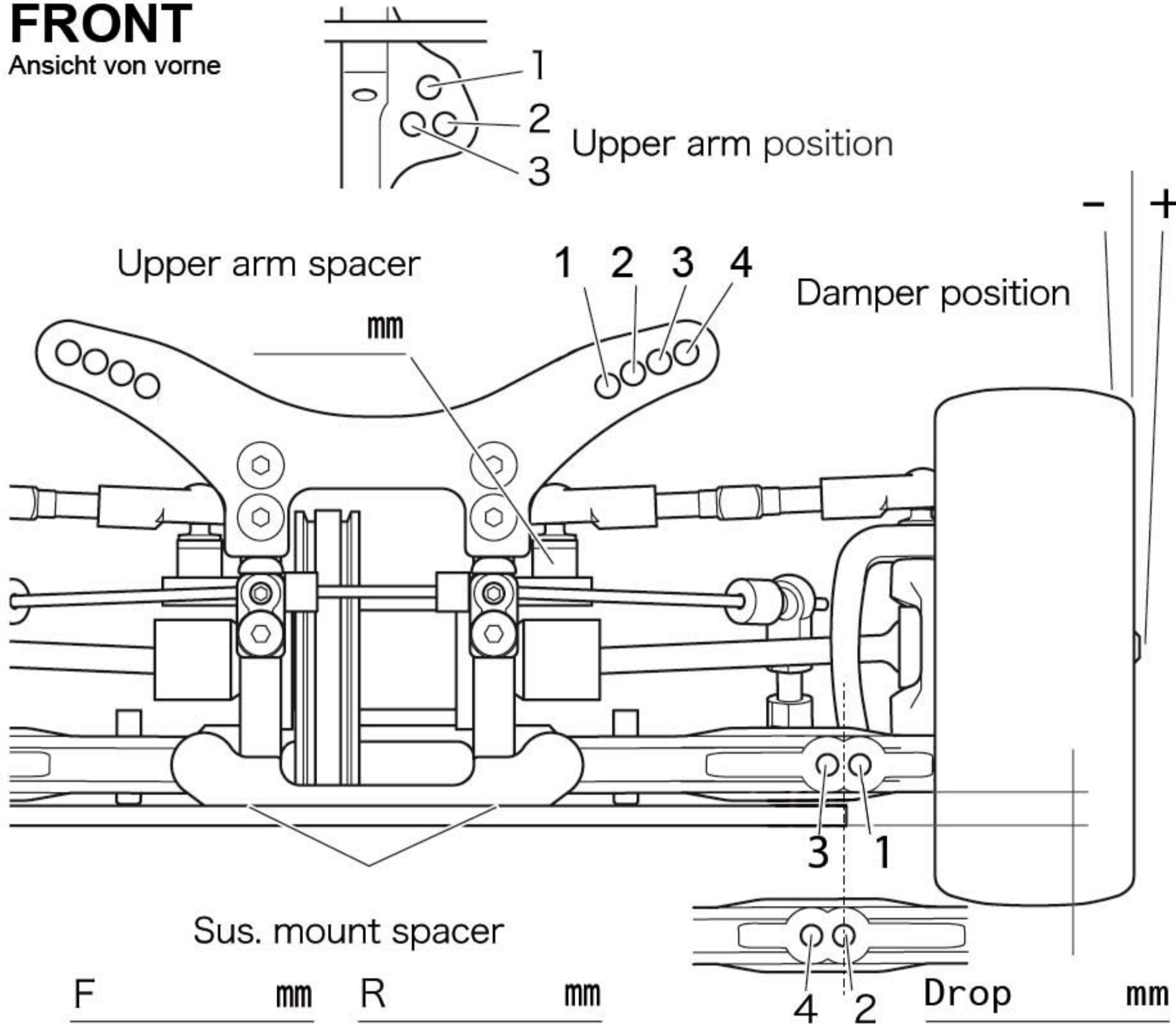
# 417



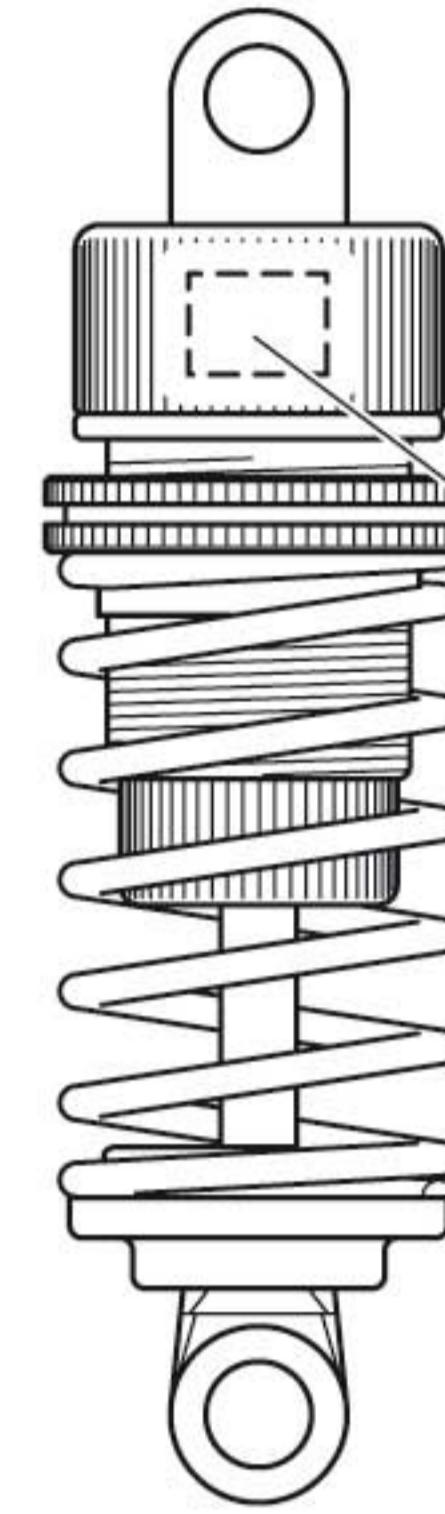
Name \_\_\_\_\_ Date \_\_\_\_\_ Air temp. \_\_\_\_\_ Humidity \_\_\_\_\_

Track \_\_\_\_\_ Track condition \_\_\_\_\_ Track temp. \_\_\_\_\_

**FRONT**  
Ansicht von vorne



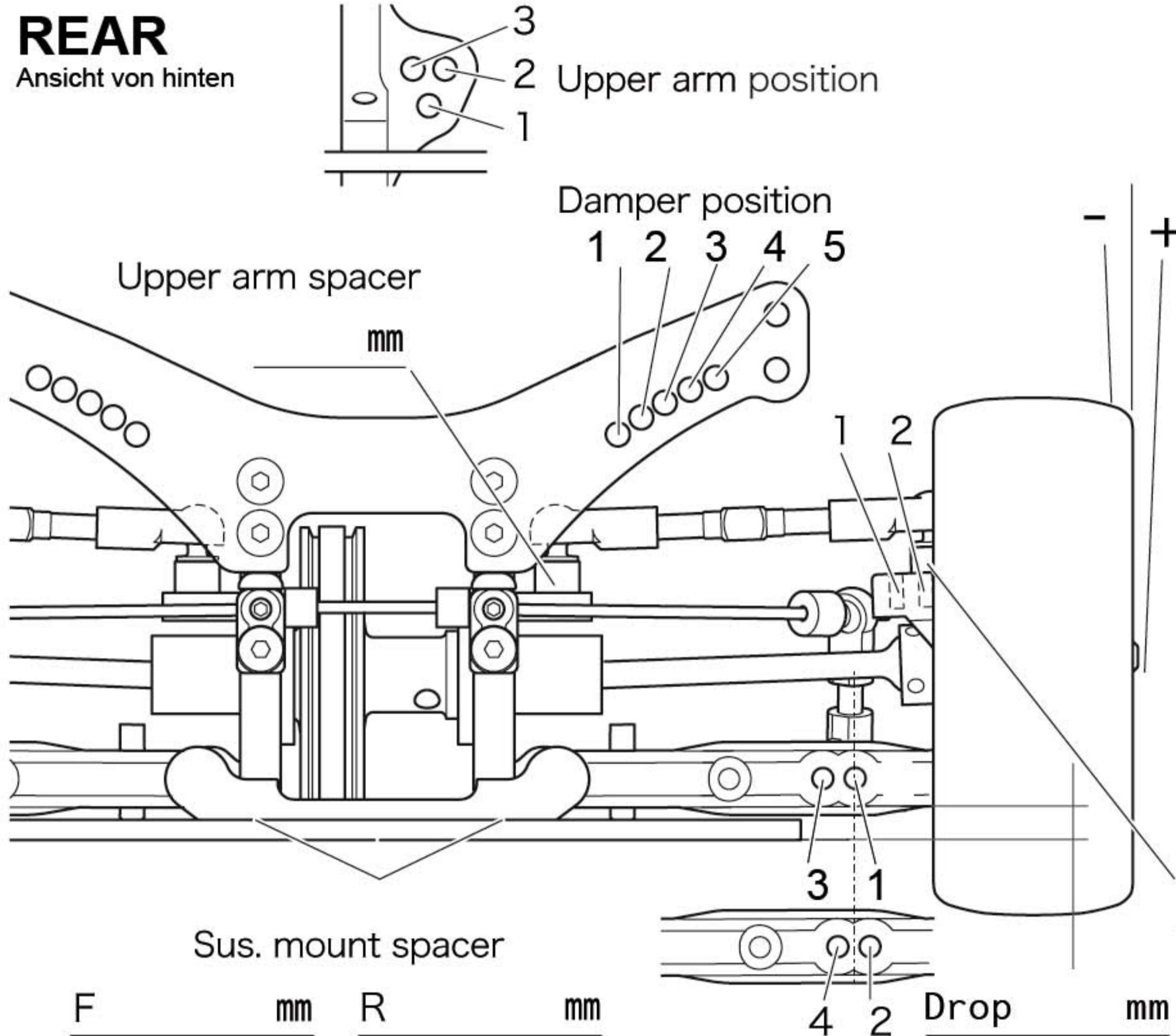
Front axle 2° 4°  
 Camber angle °  
 Ground clearance mm  
 Rebound stroke mm  
 Front drive One-way Direct  
 Stabilizer S M H  
 Wheel spacer mm



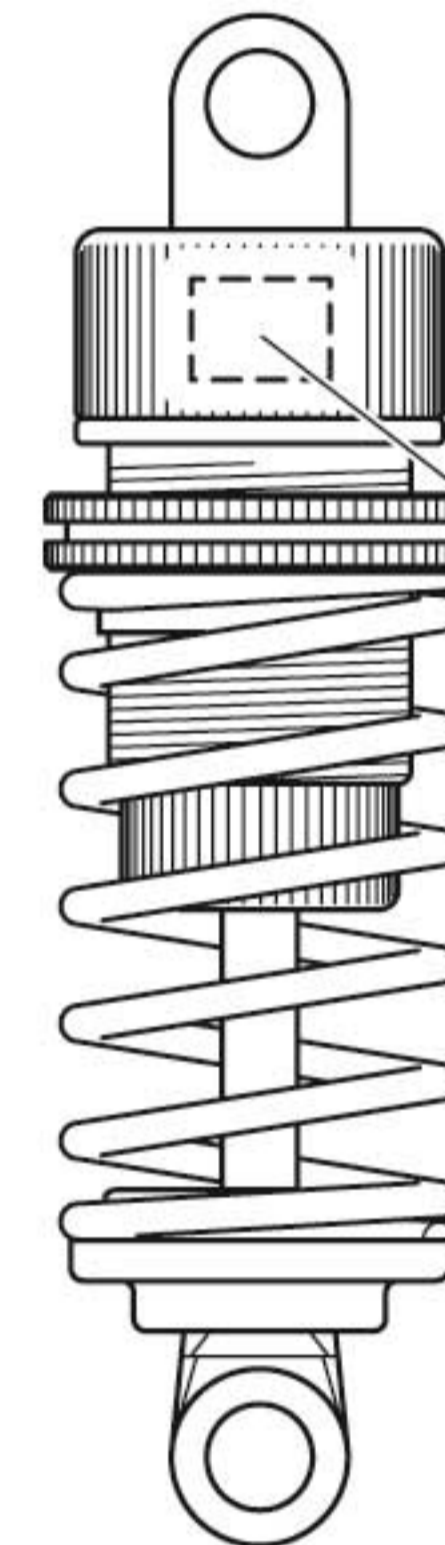
Damper type \_\_\_\_\_  
 \_\_\_\_\_ Piece(s)  
 Piston \_\_\_\_\_ hole(s)  
 Oil \_\_\_\_\_  
 Spring \_\_\_\_\_

Memo \_\_\_\_\_

**REAR**  
Ansicht von hinten

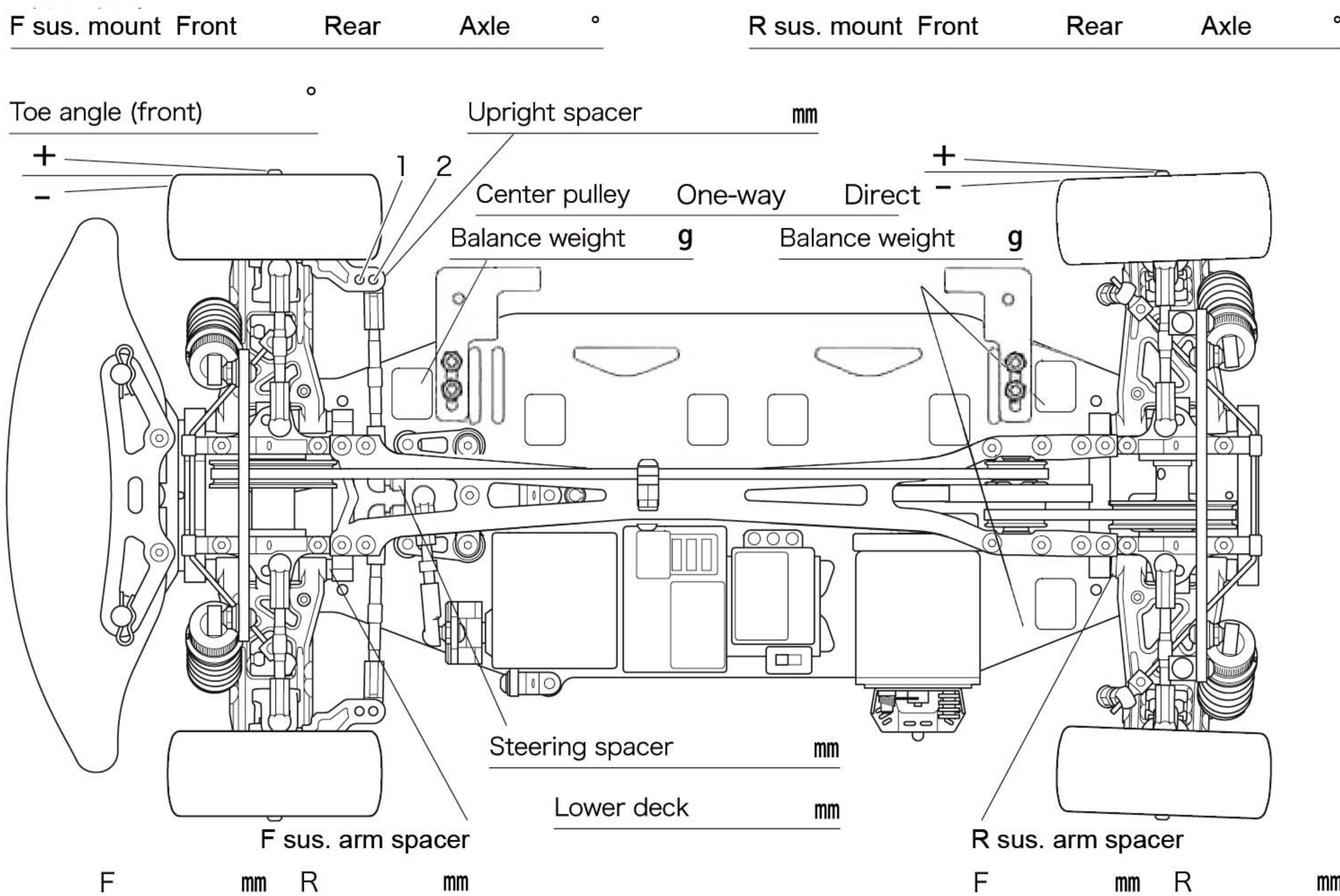


Camber angle °  
 Ground clearance mm  
 Rebound stroke mm  
 Stabilizer S M H  
 Wheel spacer mm



Damper type \_\_\_\_\_  
 \_\_\_\_\_ Piece(s)  
 Piston \_\_\_\_\_ hole(s)  
 Oil \_\_\_\_\_  
 Spring \_\_\_\_\_

Memo \_\_\_\_\_



Motor \_\_\_\_\_  
 Spur gear \_\_\_\_\_ Pinion gear \_\_\_\_\_ Ratio \_\_\_\_\_  
 \_\_\_\_\_ T \_\_\_\_\_ T  
 Battery \_\_\_\_\_  
 Body \_\_\_\_\_  
 Wing \_\_\_\_\_  
 Tire \_\_\_\_\_  
 Wheel \_\_\_\_\_  
 Tire insert \_\_\_\_\_  
 Best lap \_\_\_\_\_